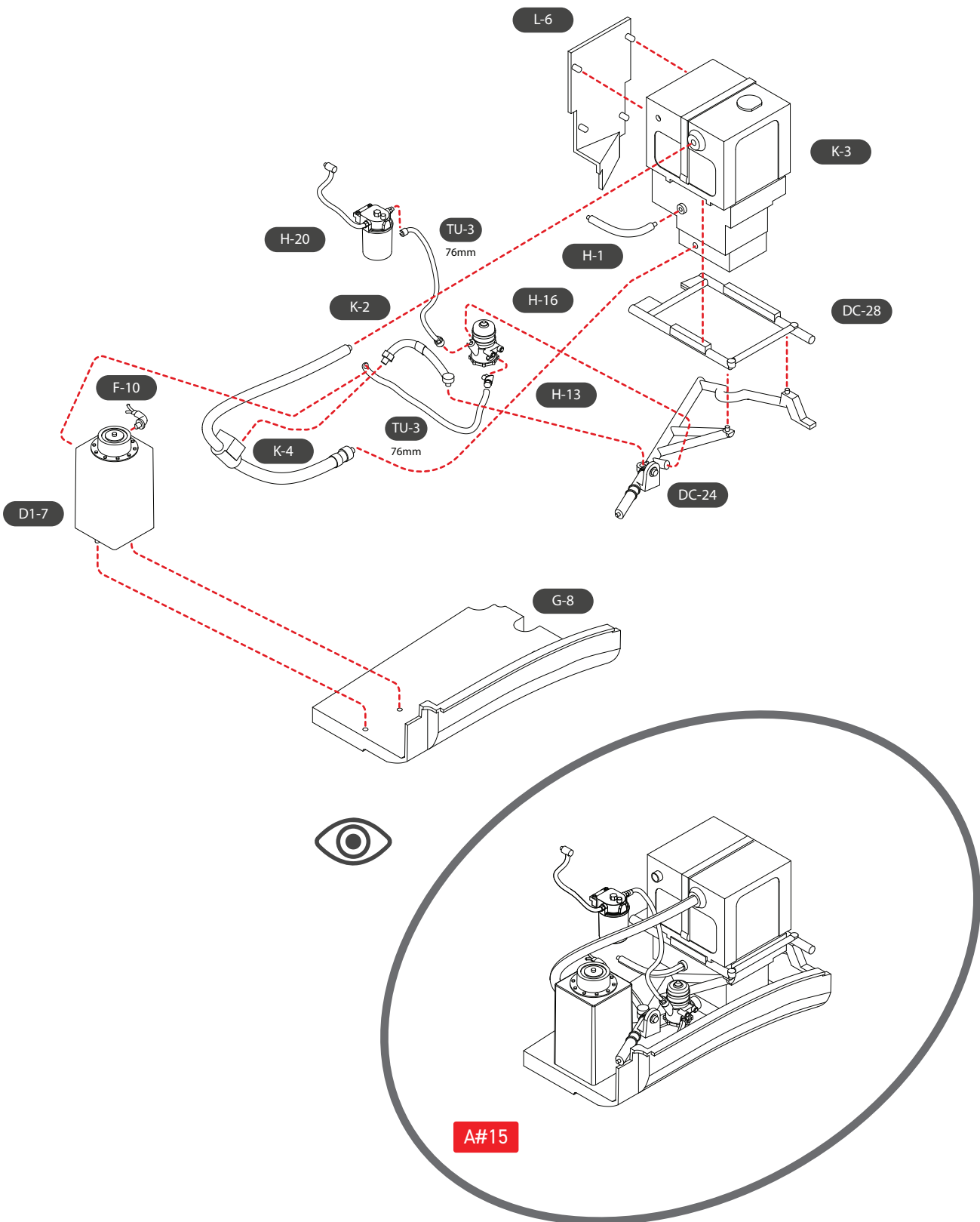
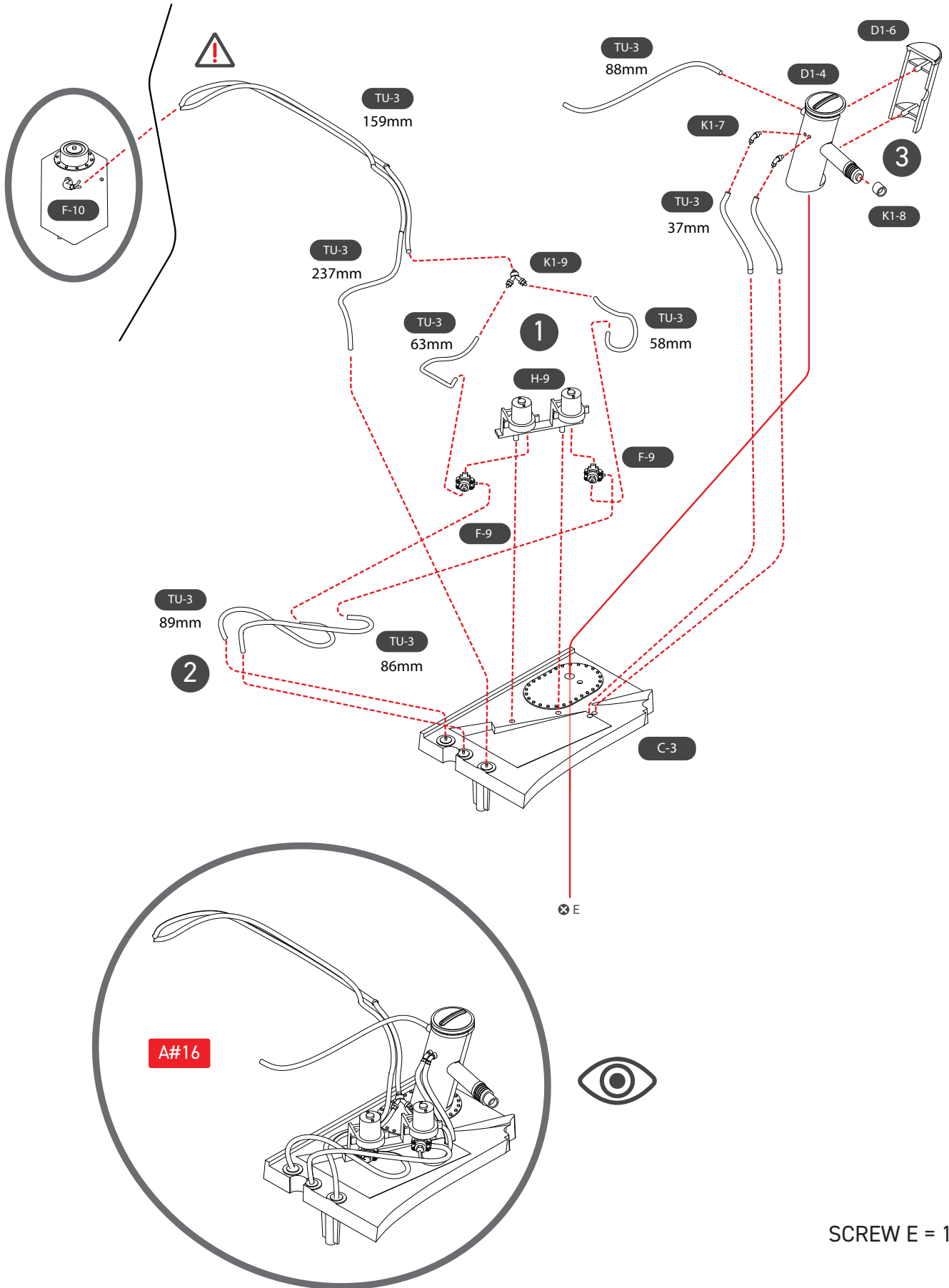
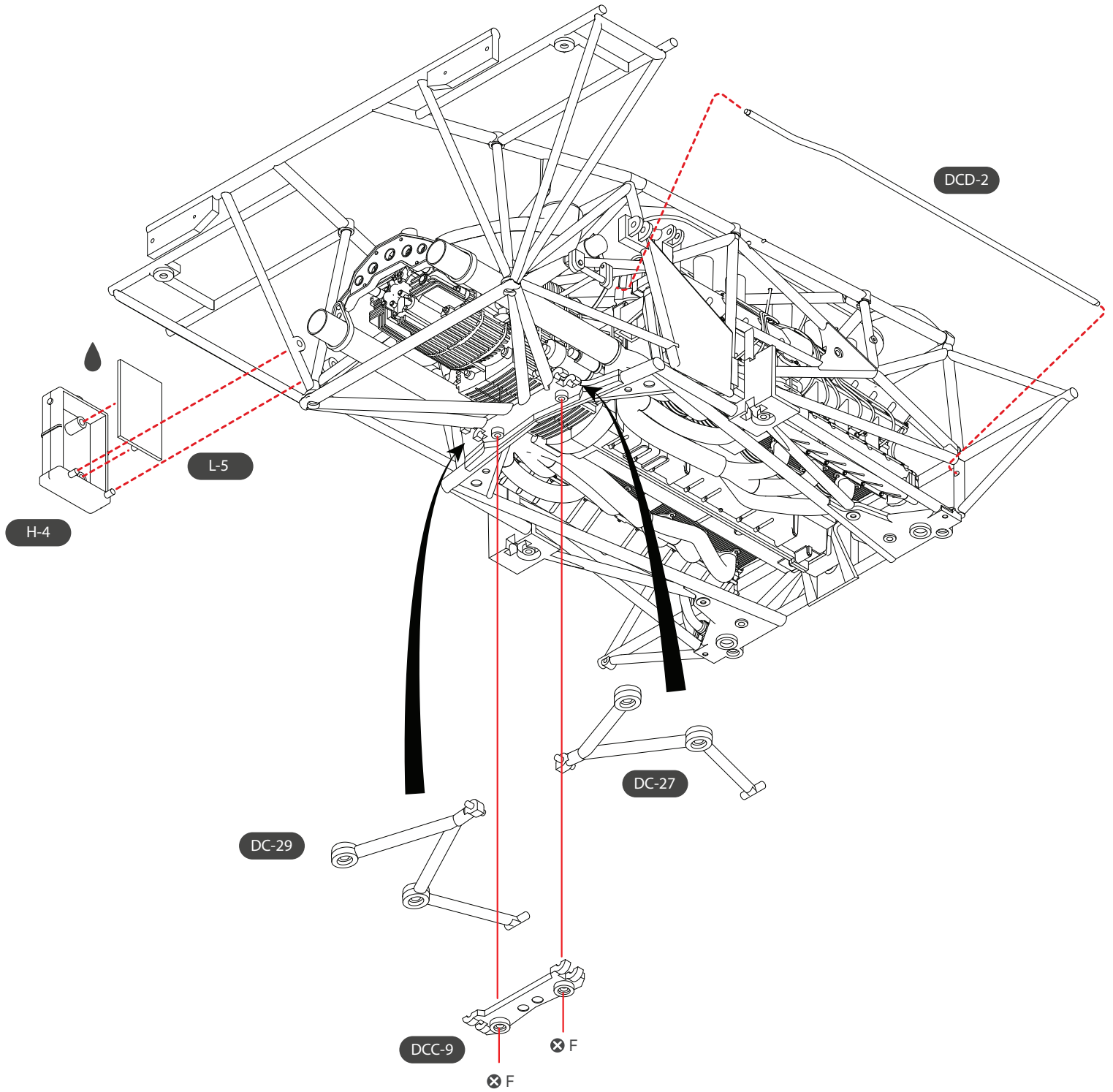


16

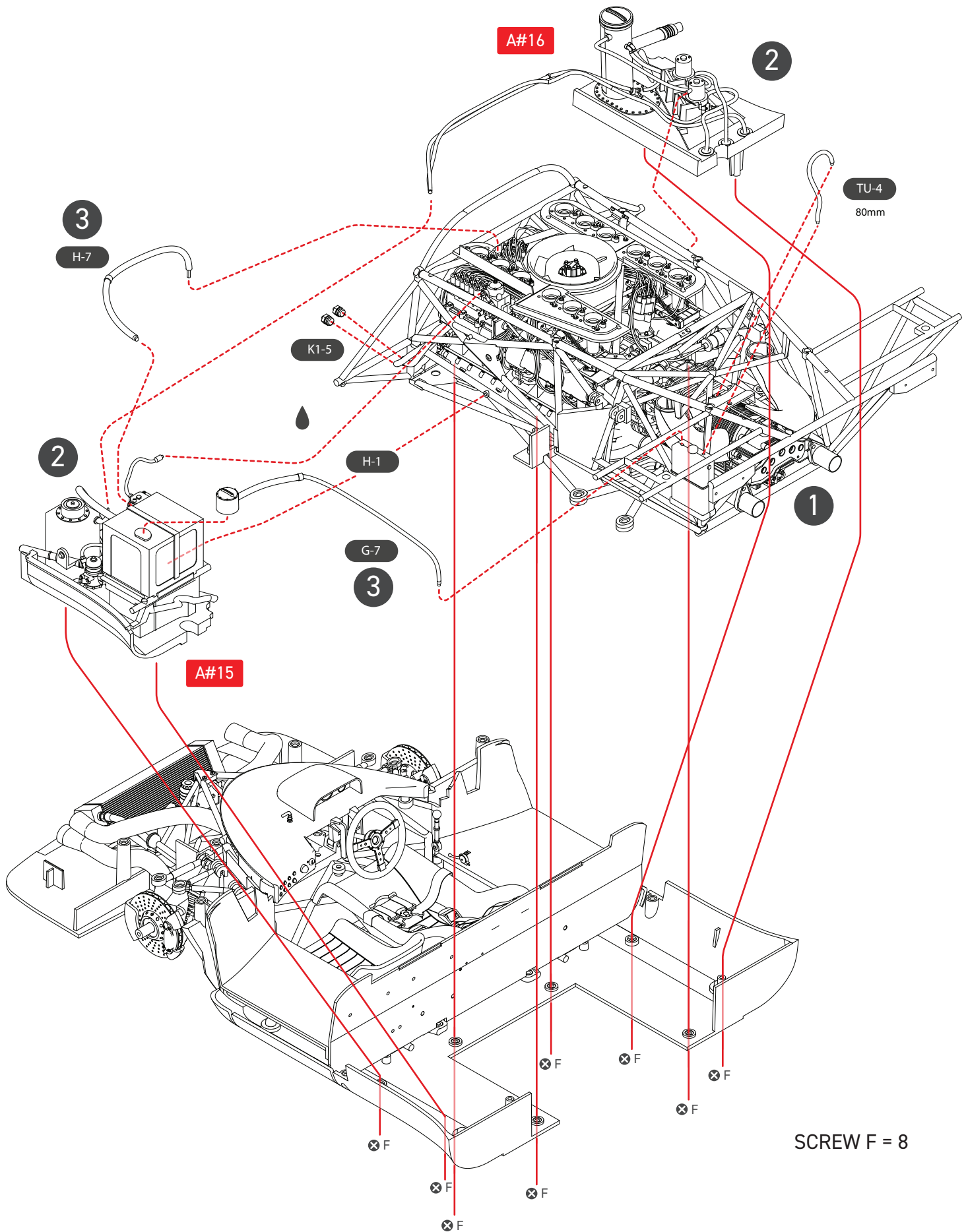




18

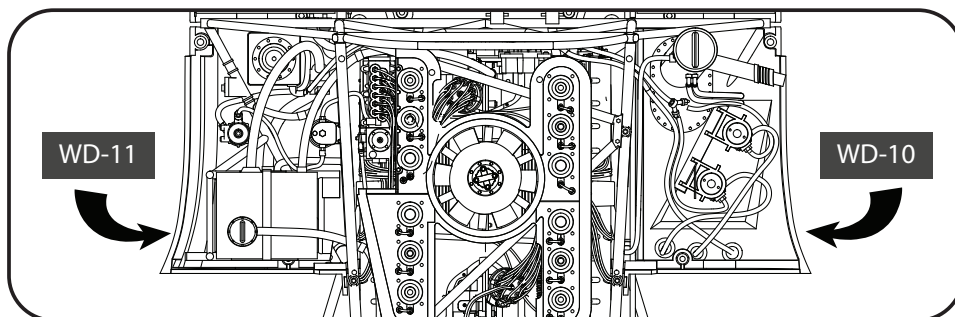
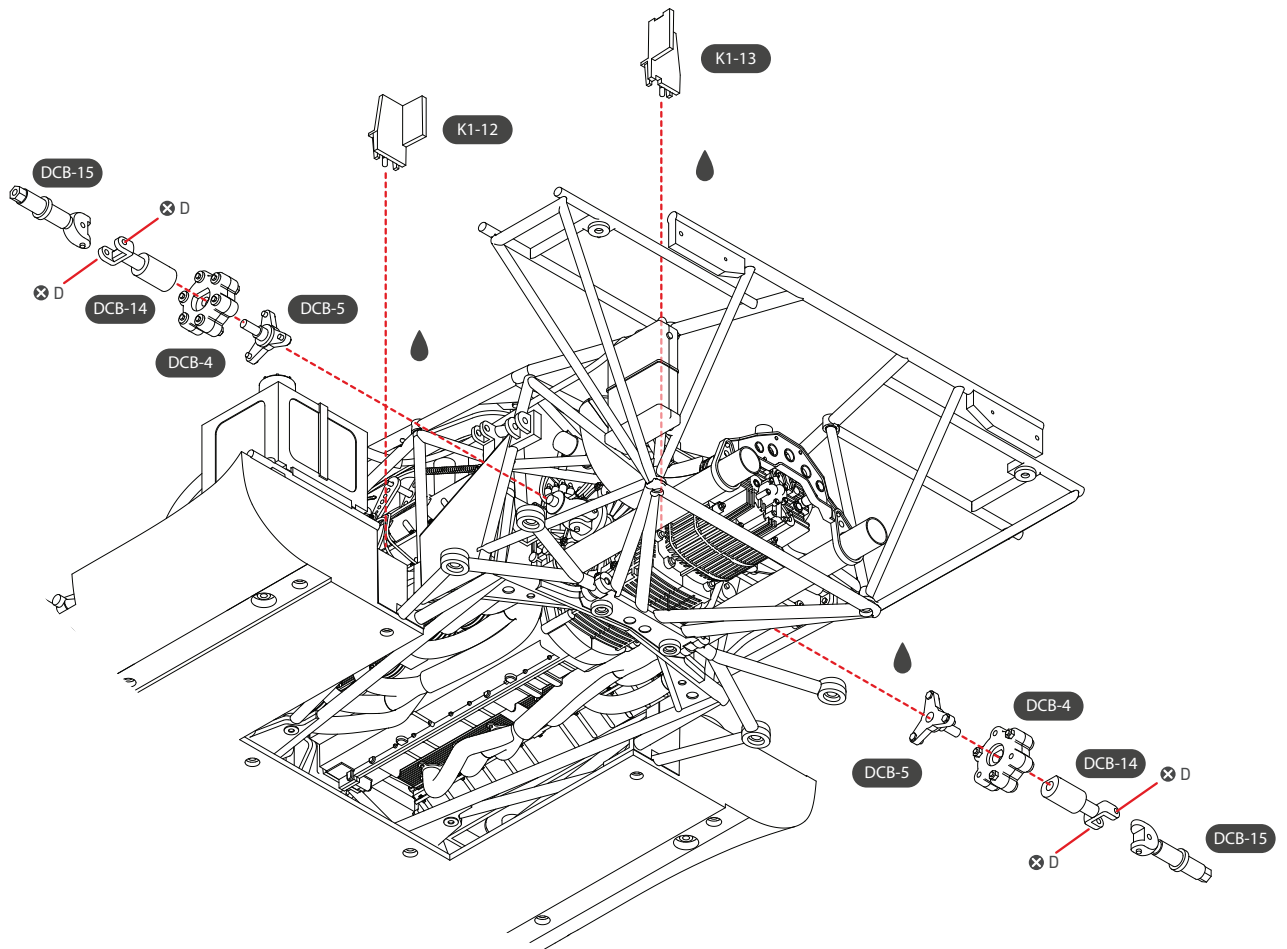


SCREW F = 2

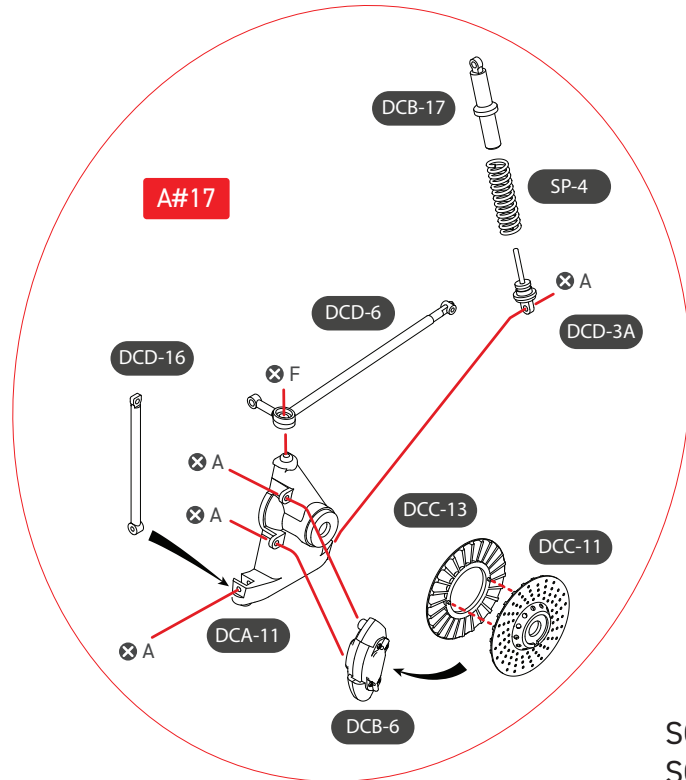
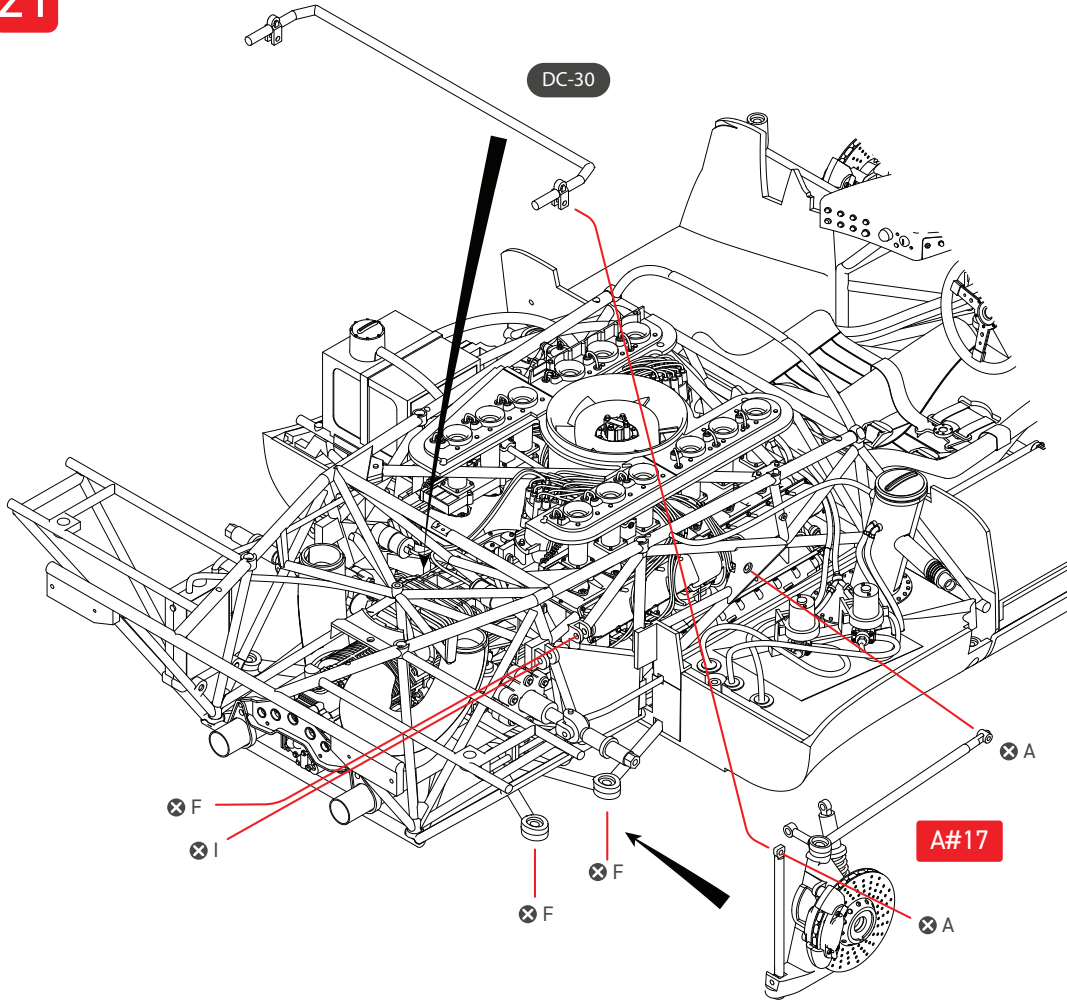




20

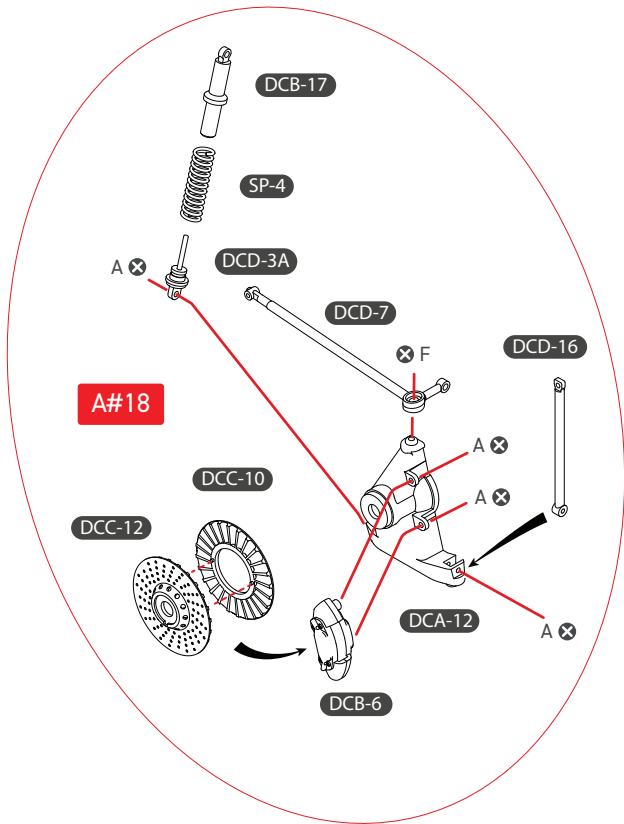
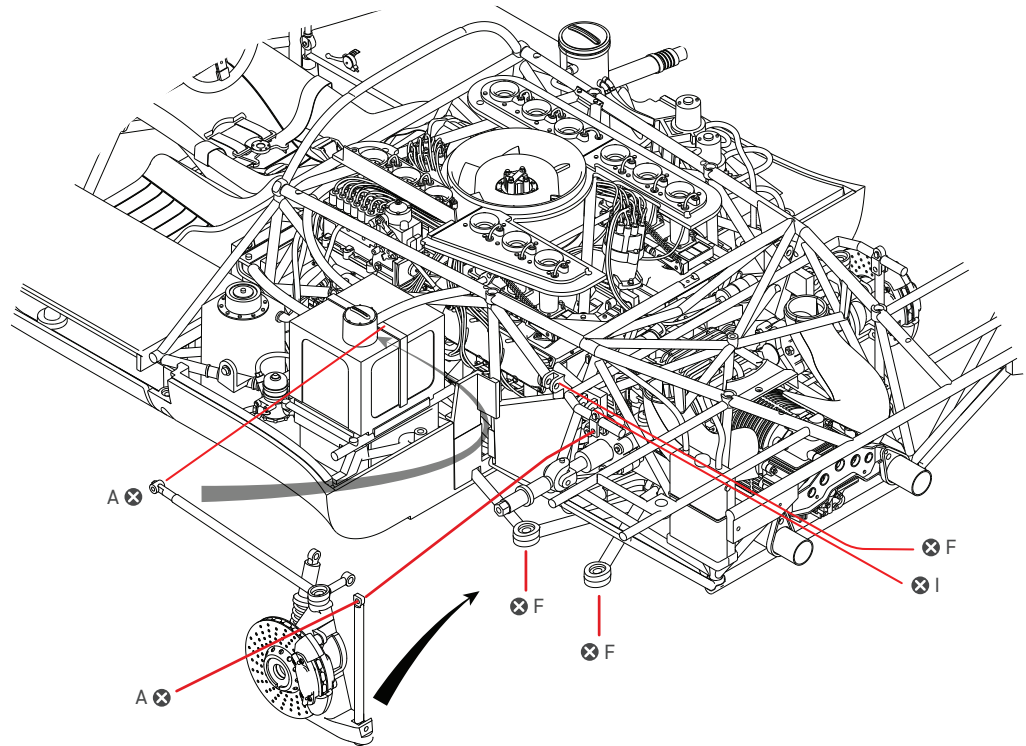


SCREW D=4



SCREW A = 6  
 SCREW F = 4  
 SCREW I = 1

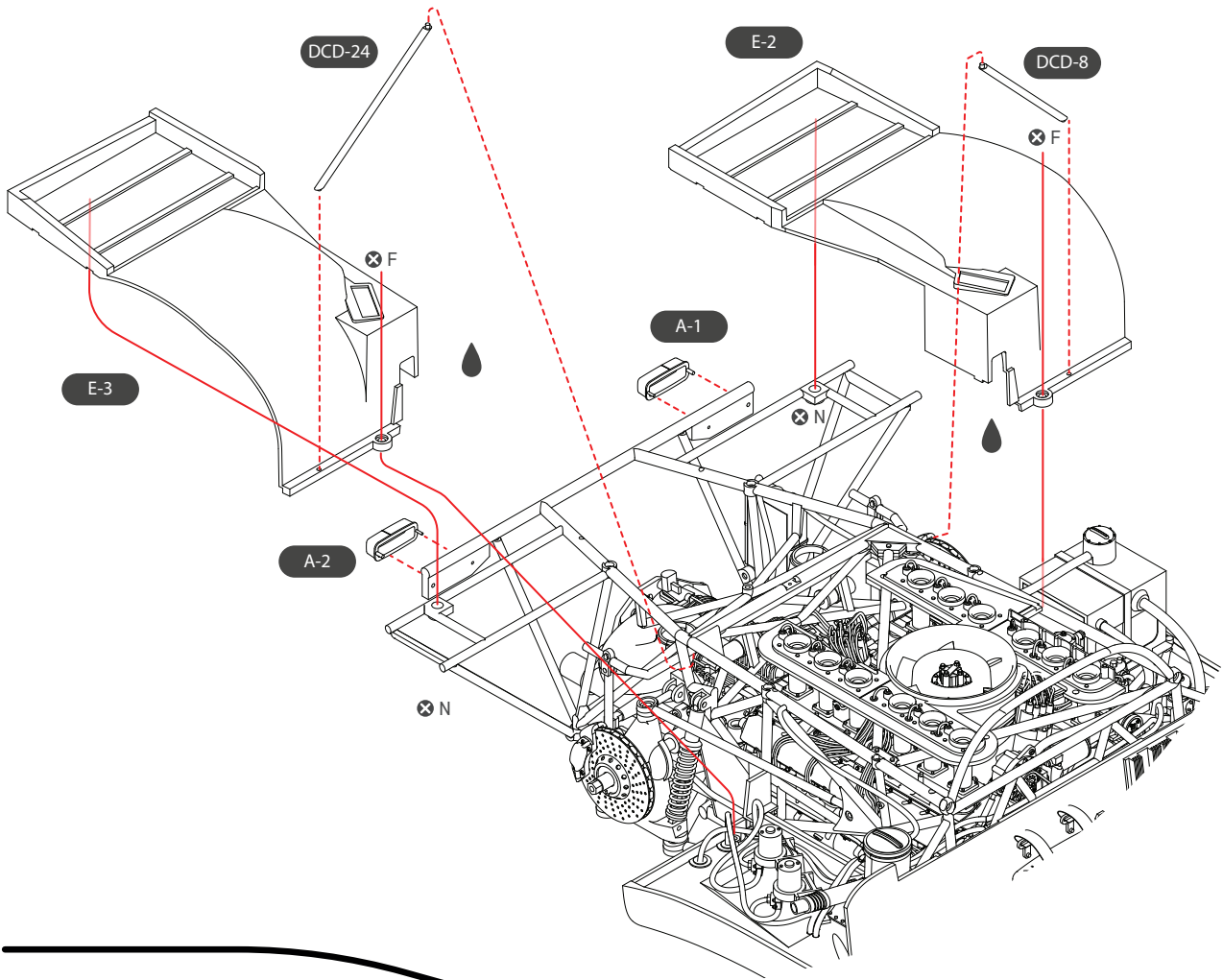
22



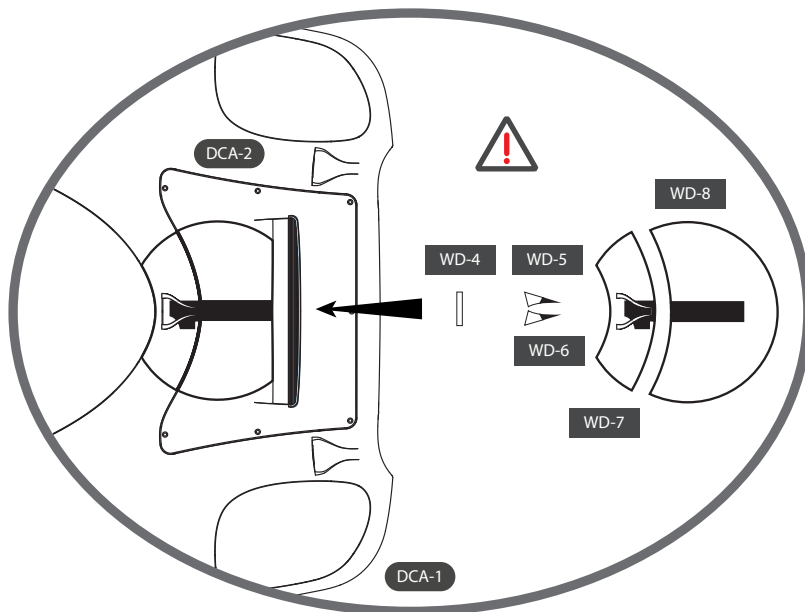
A#18

SCREW A = 6  
 SCREW F = 4  
 SCREW I = 1

23

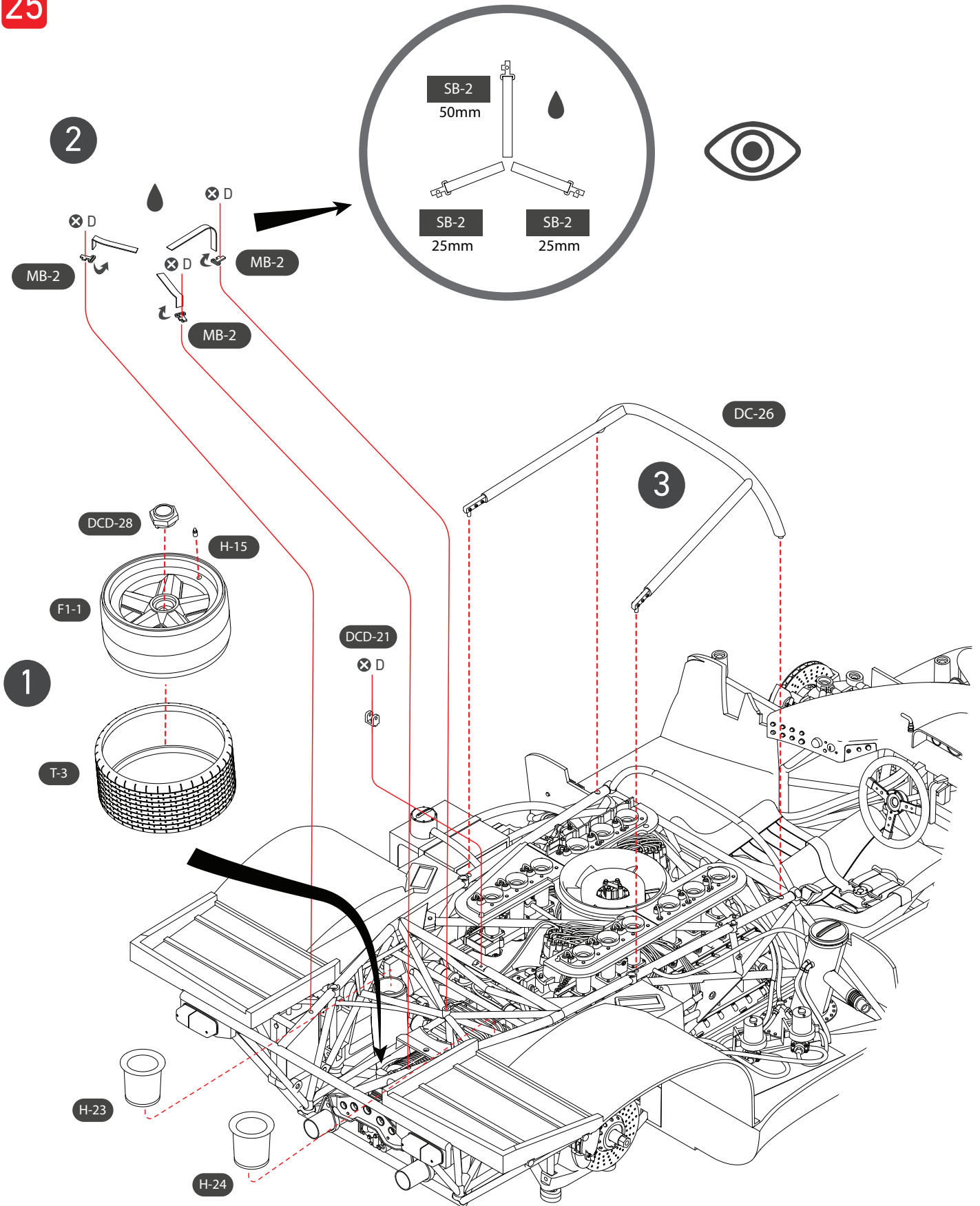


24

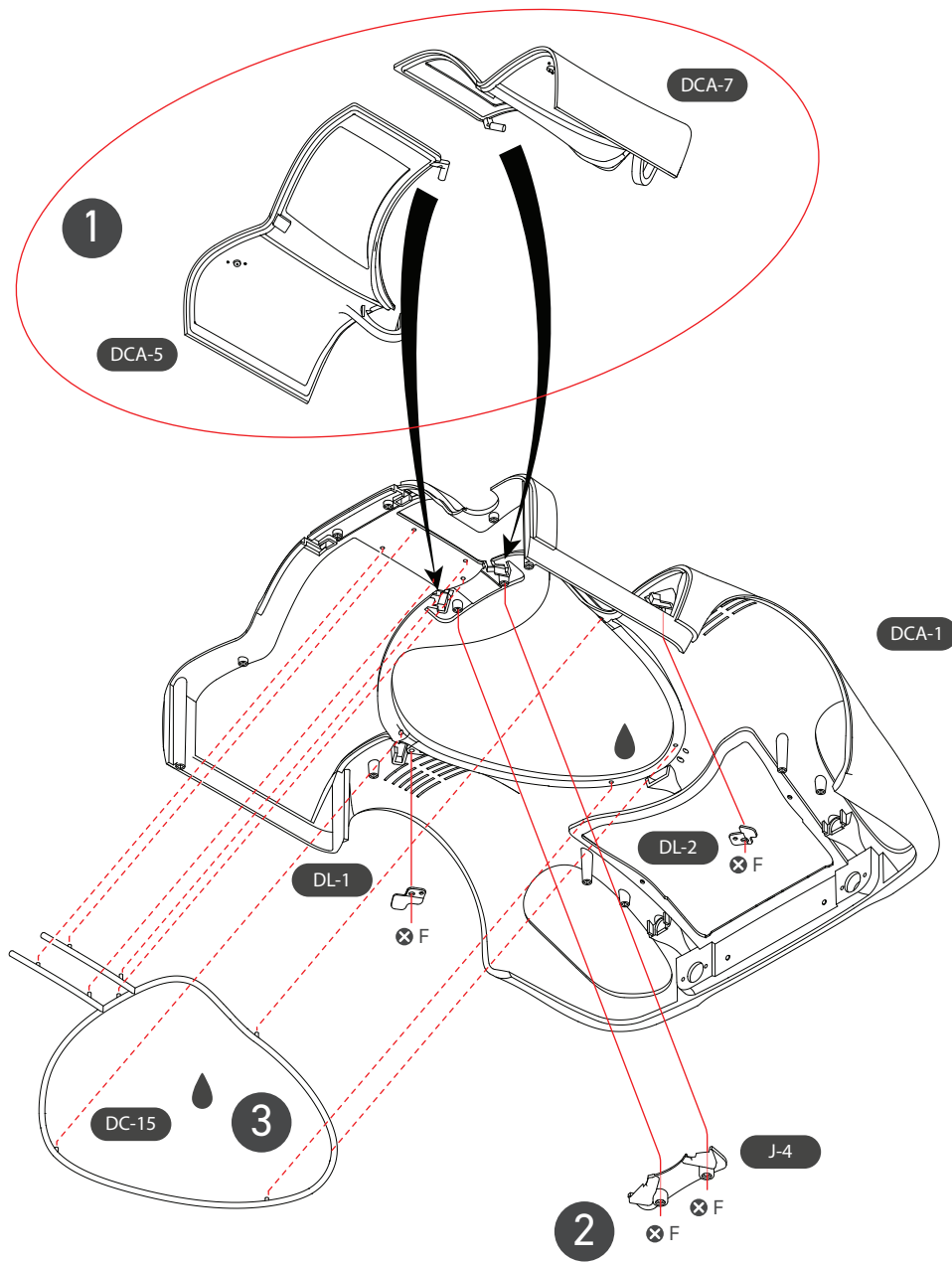


SCREW F = 2  
SCREW N = 2

25



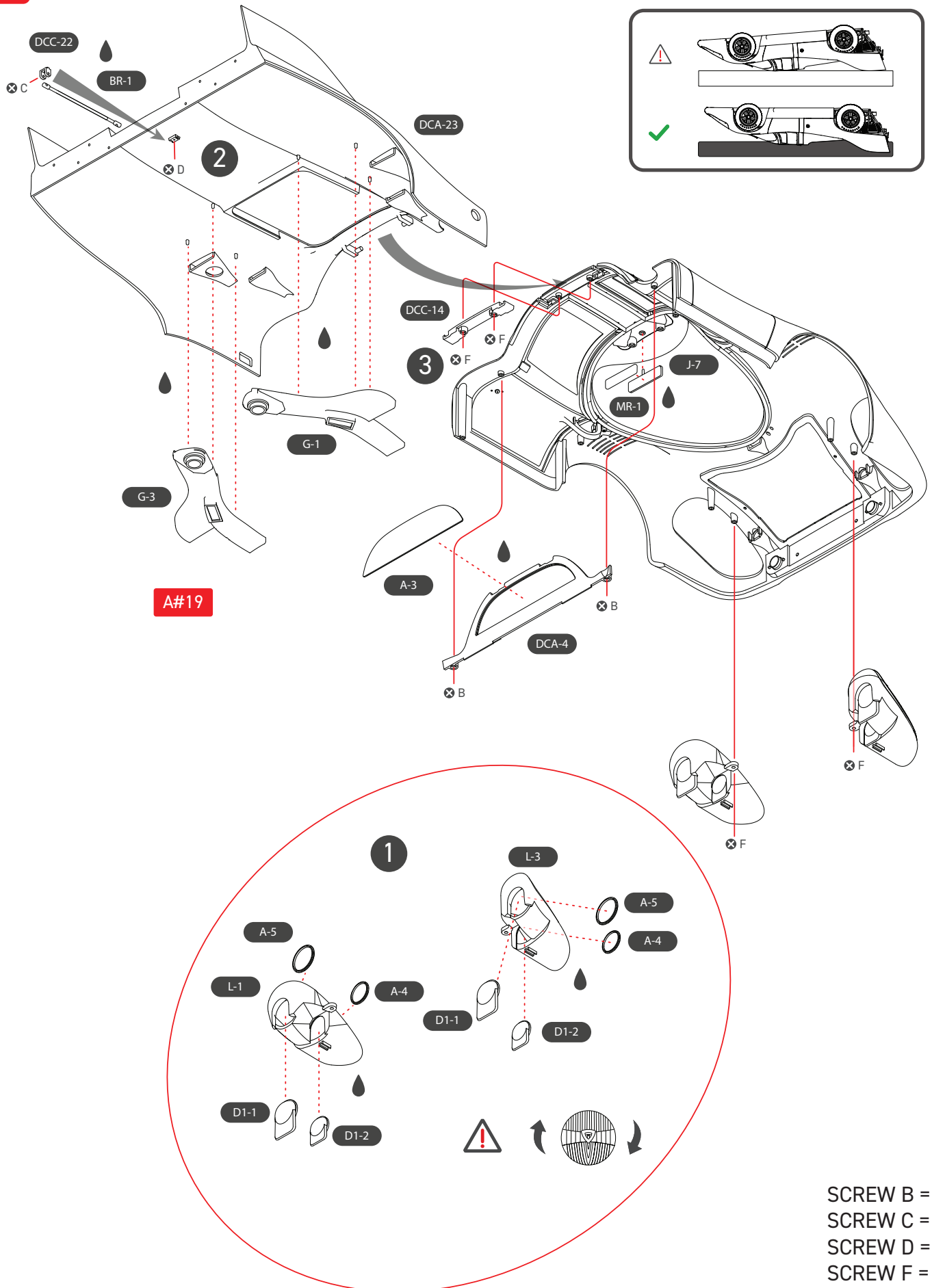
SCREW D = 4



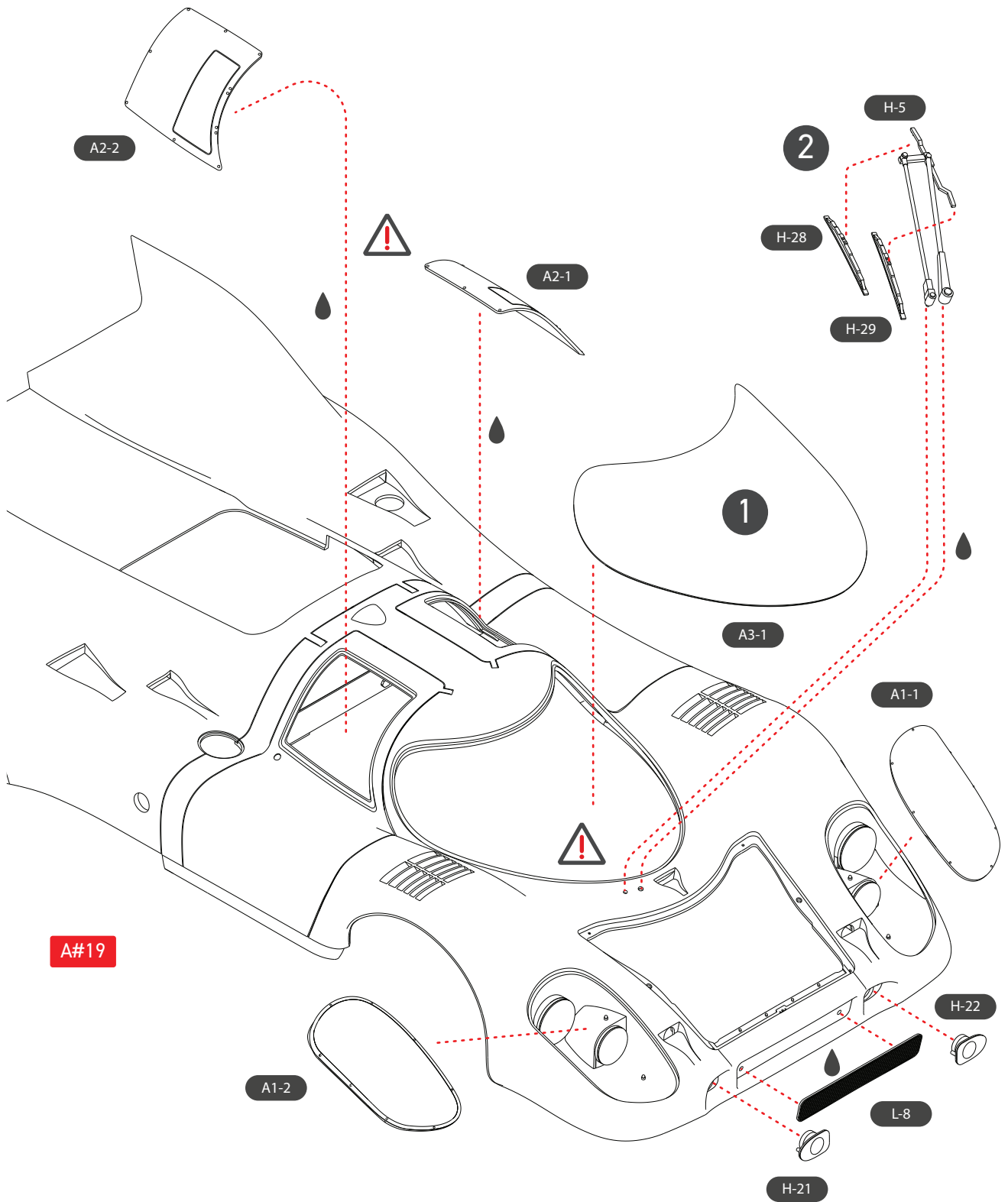
SCREW F = 4



27

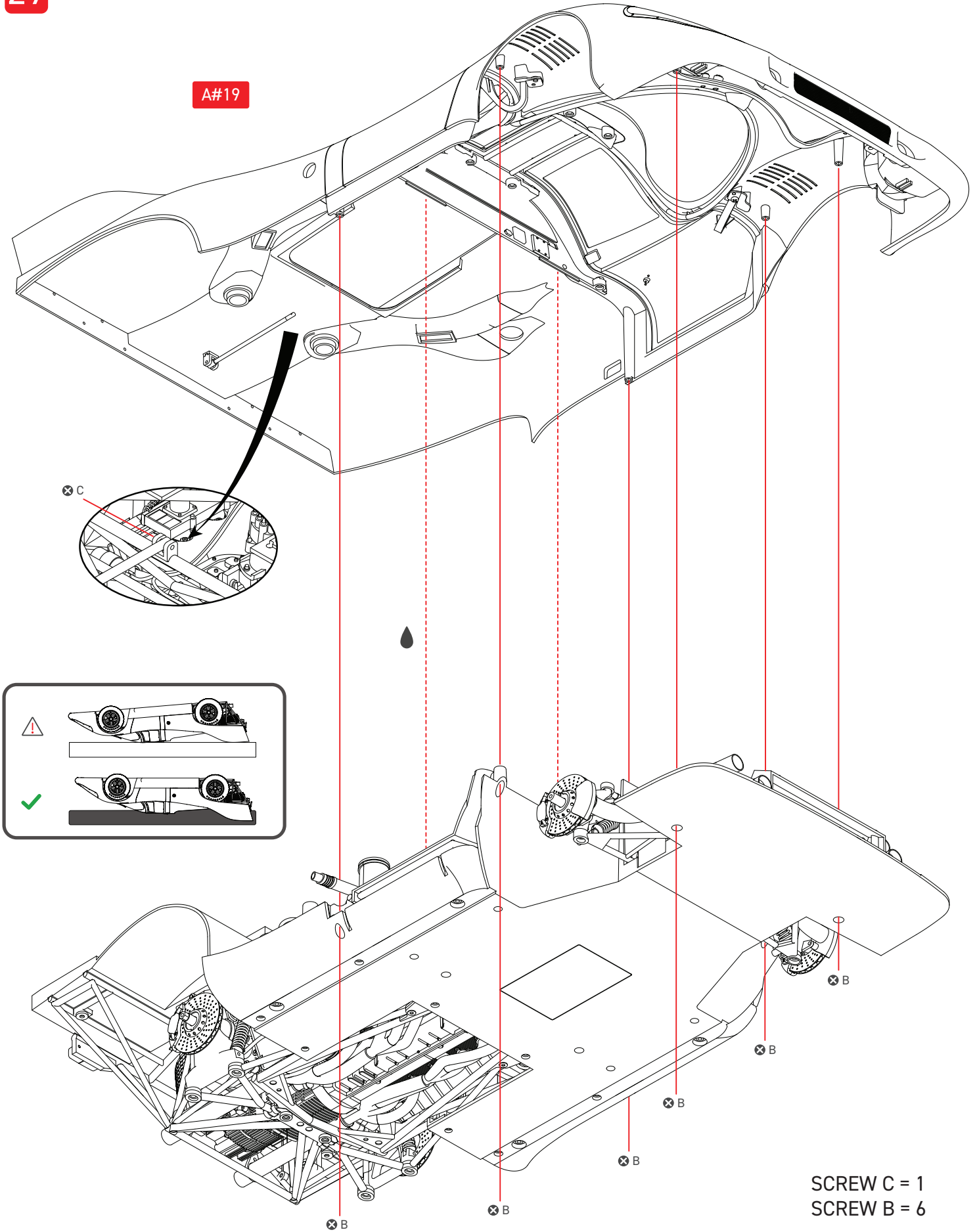




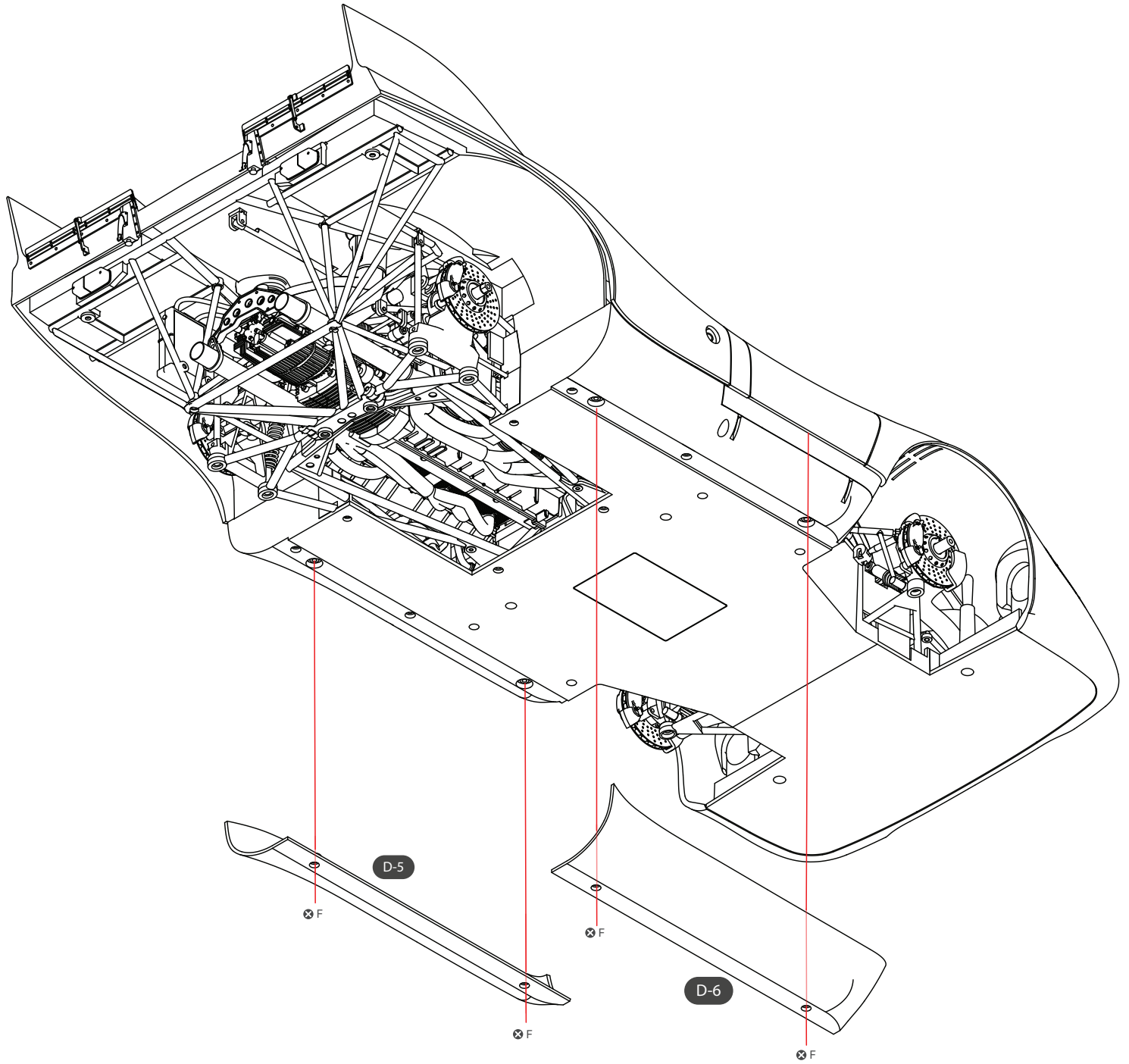


29

A#19

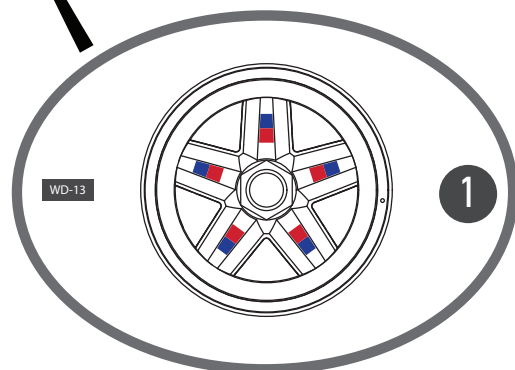
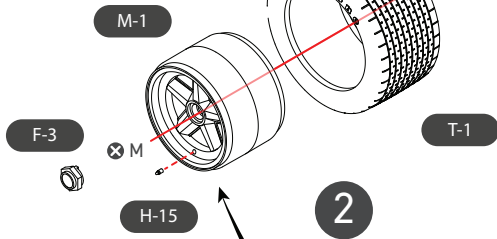
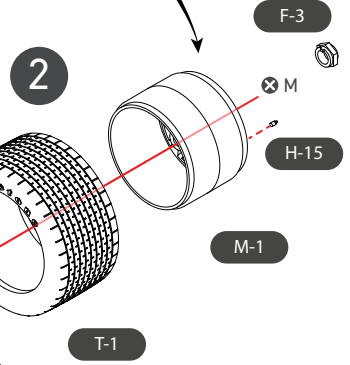
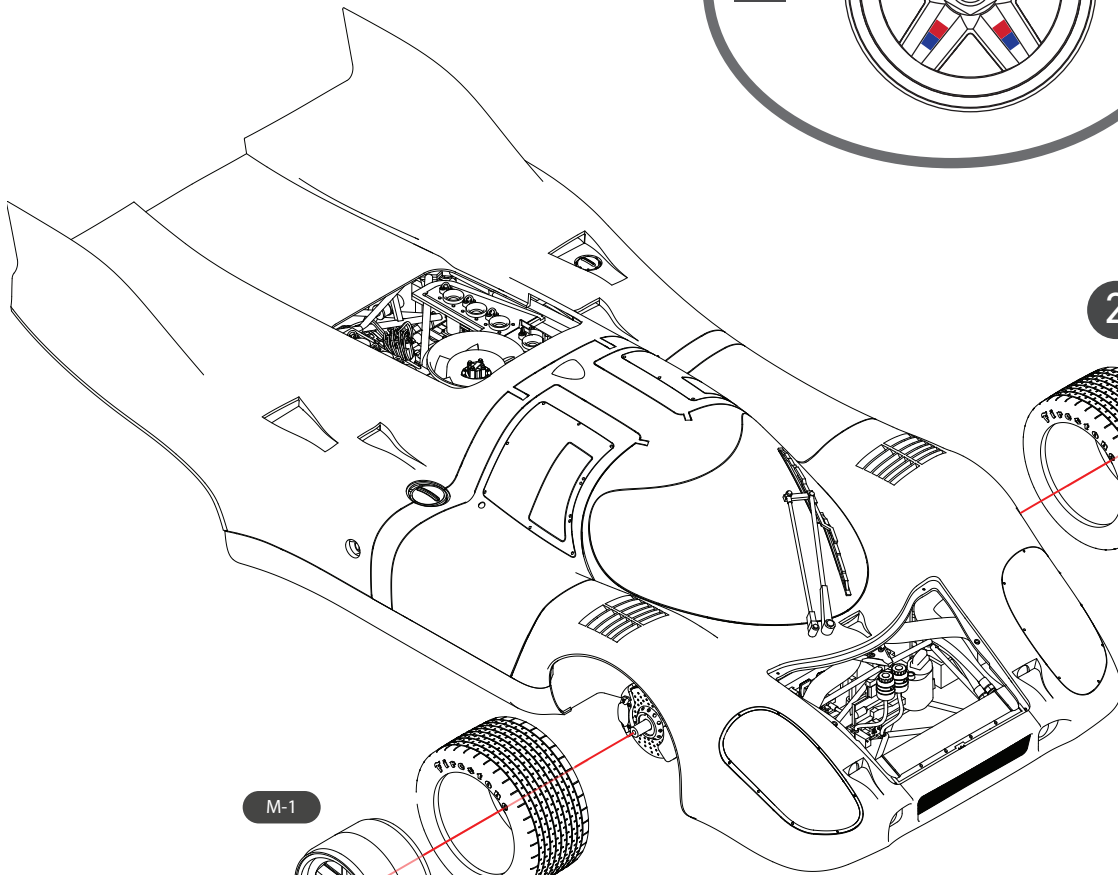
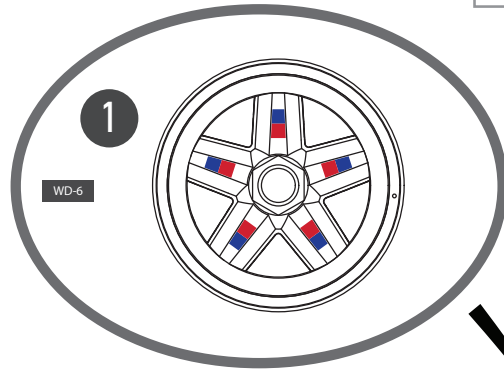
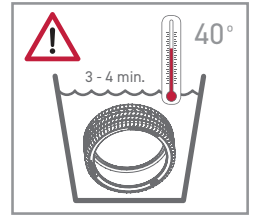


SCREW C = 1  
SCREW B = 6



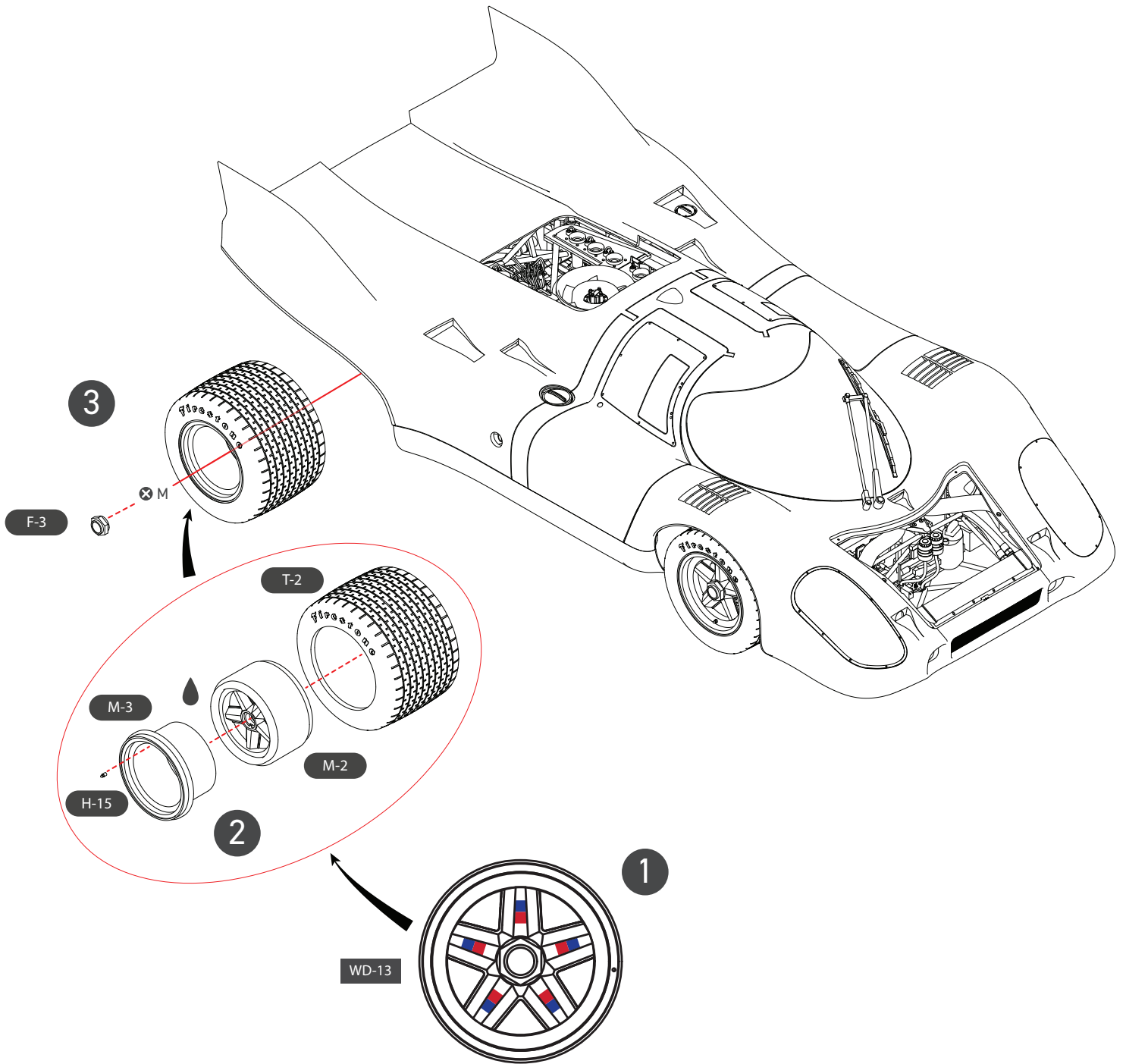
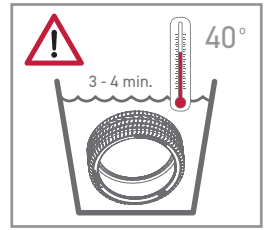
SCREW F = 4

30

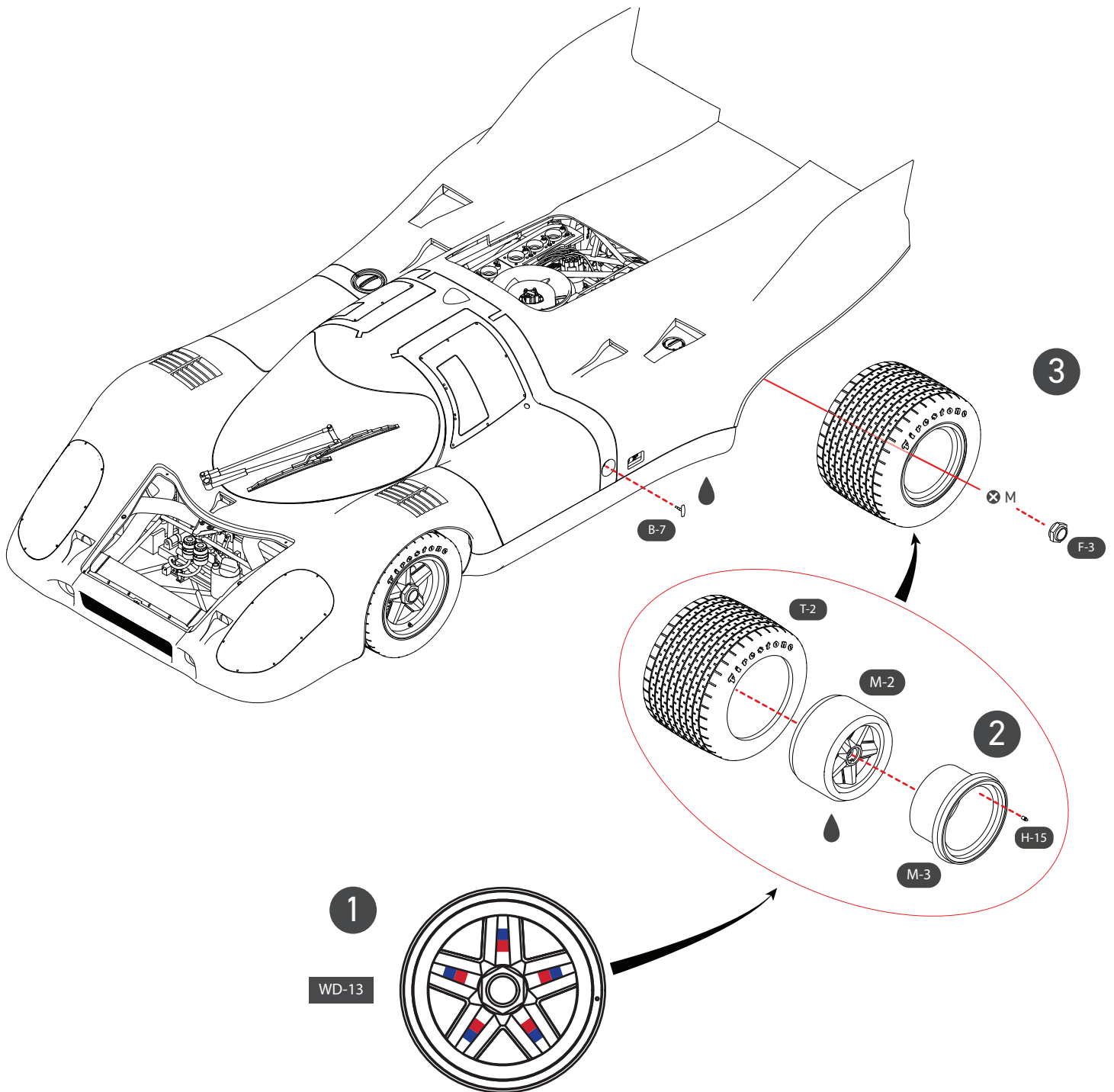


SCREW M = 2

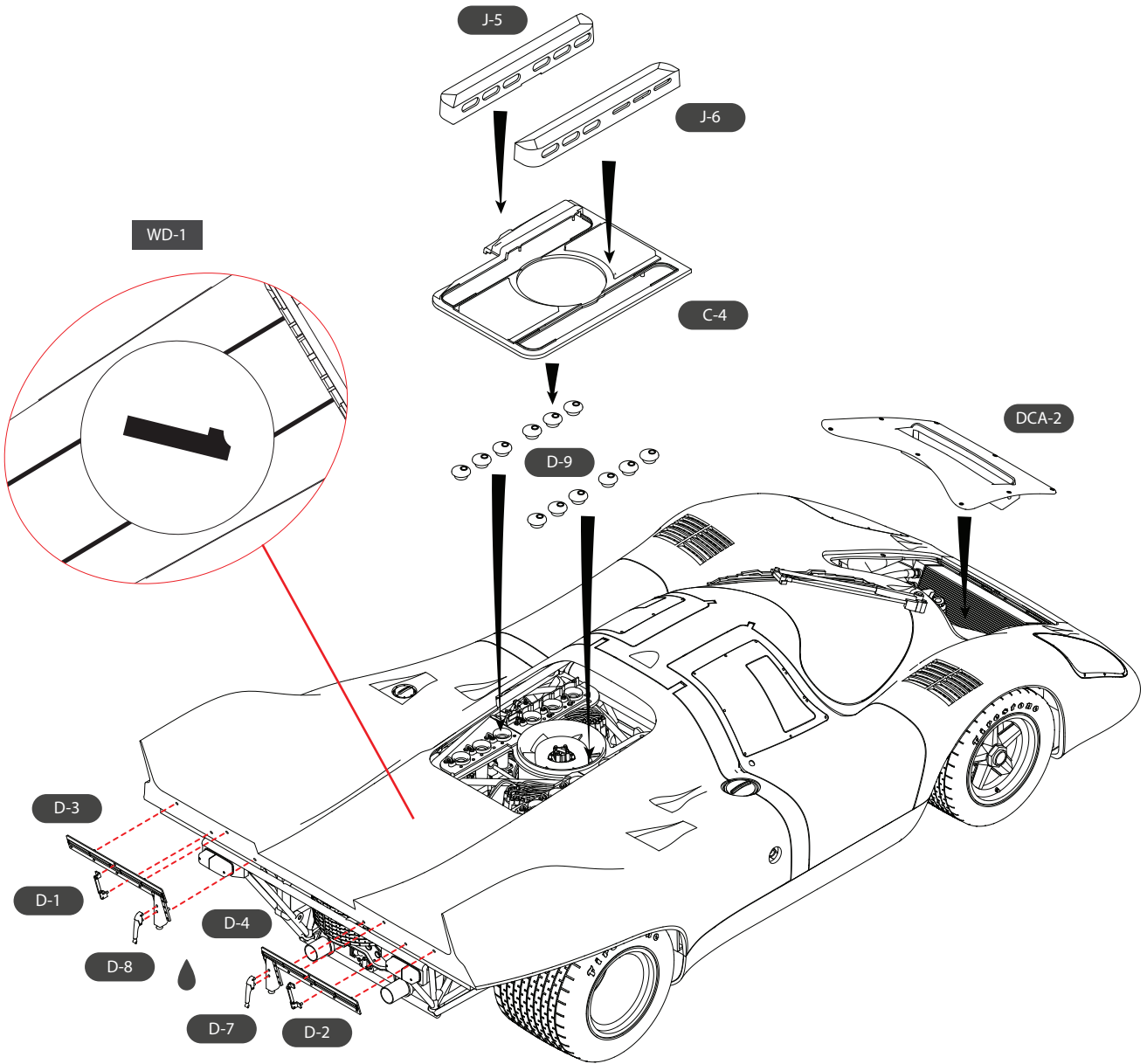
31



SCREW M = 1

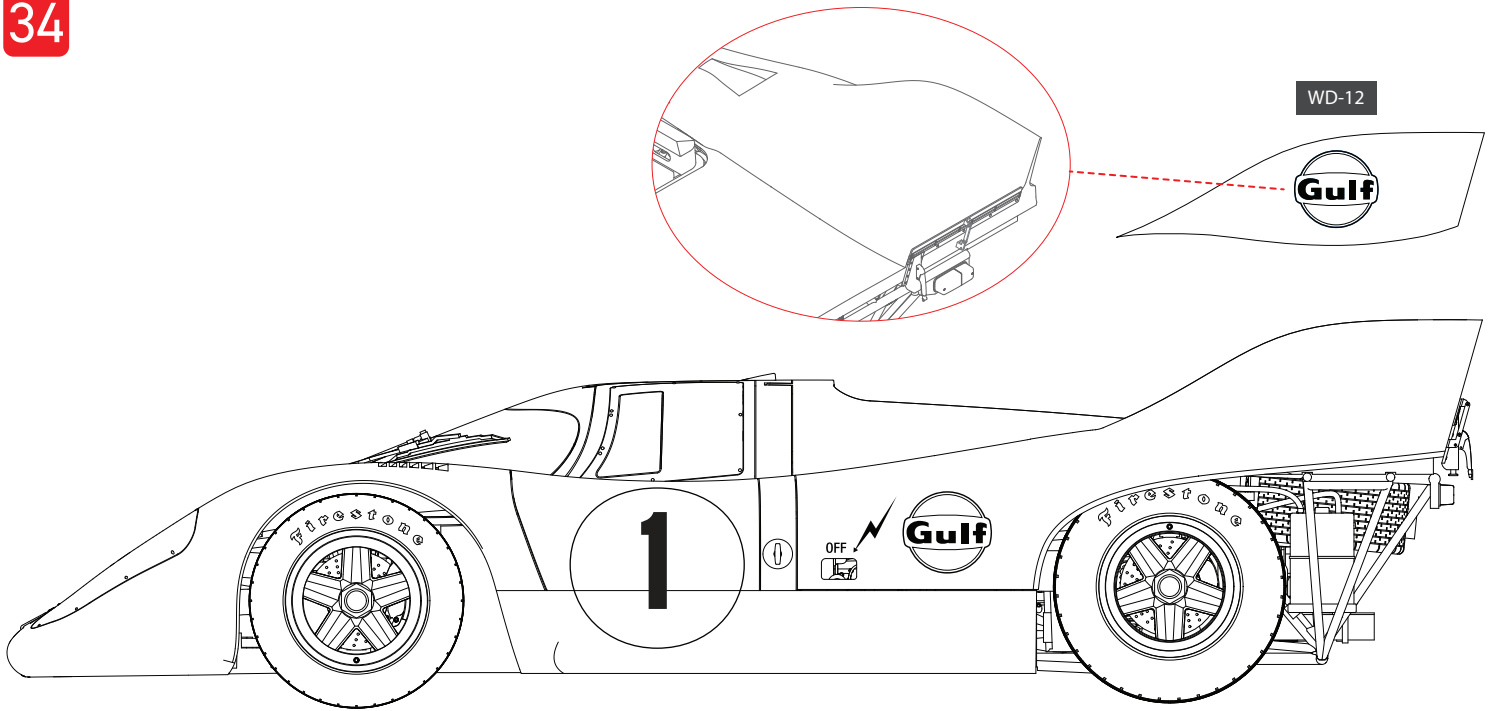


SCREW M = 1



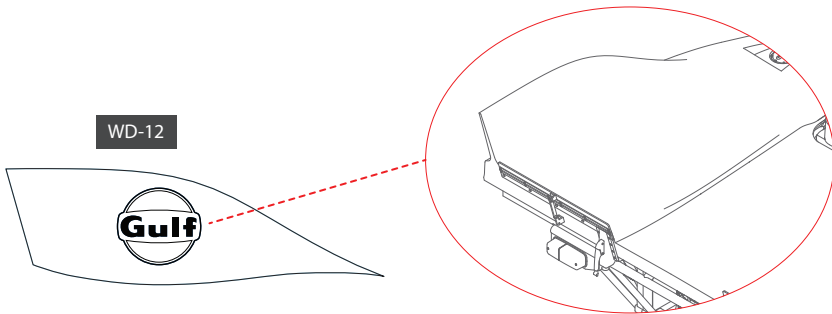
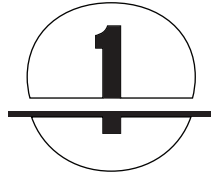


34



WD-2

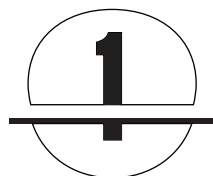
WD-3

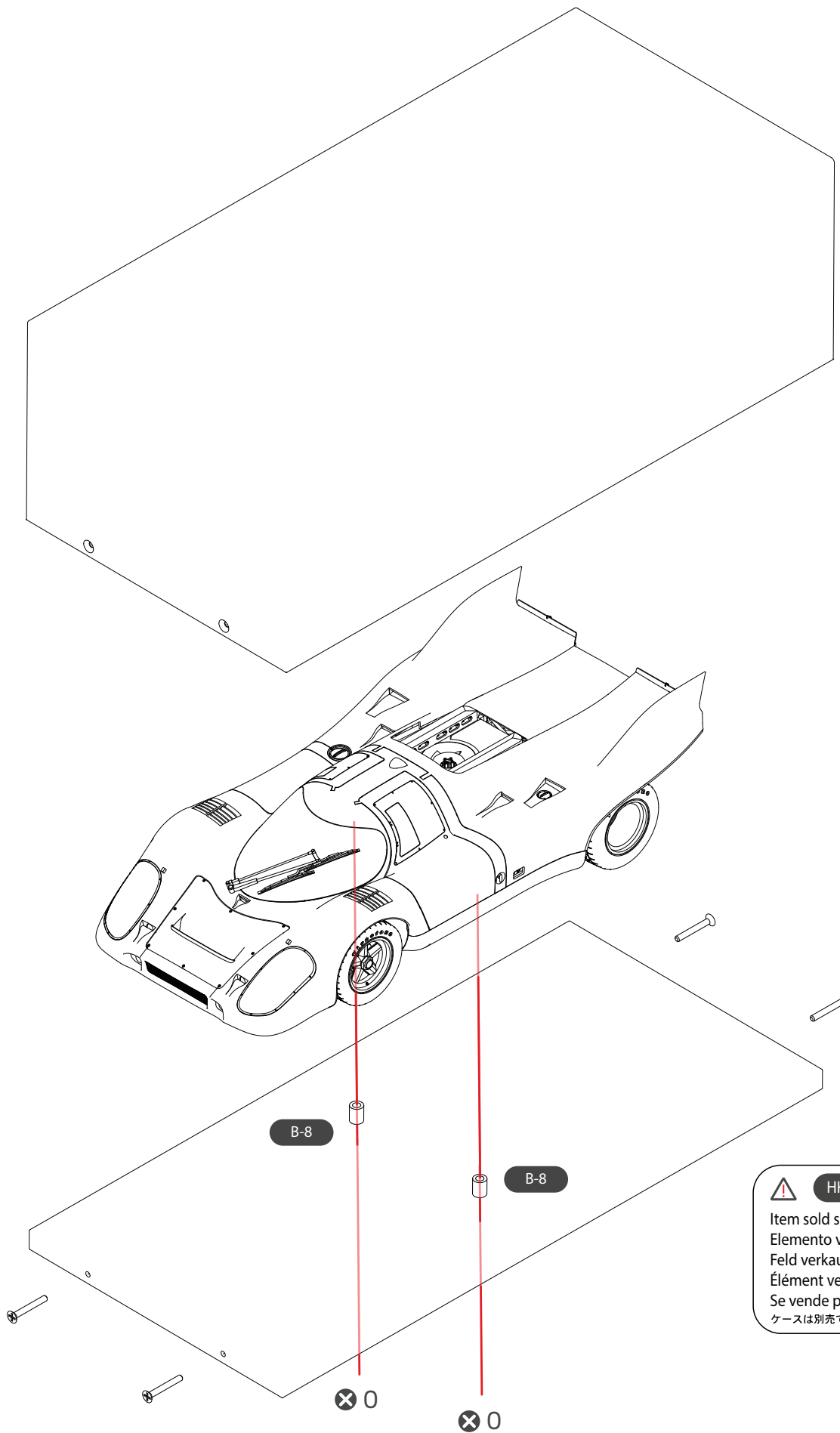


WD-12

WD-2

WD-3





 **HK200**  
Item sold separately  
Elemento venduto separato  
Feld verkauft getrennt  
Élément vendu séparé  
Se vende por separado  
ケースは別売です。

# NOTES



**Pocher**<sup>®</sup>  
1:8 Model Kits

---



Hornby Hobbies Ltd, Enterprise Road, Westwood Industrial Estate,  
Margate, Kent CT9 4JX, UK. customerservices.uk@hornby.com  
+44 (0)1843 233525

**[www.pocher.com](http://www.pocher.com)**



Porsche, the Porsche shield and the distinctive design of Porsche cars are trademarks and trade dress of Porsche AG. Permissions granted.



The Gulf name and logo is a trademark/intellectual property right owned by and licensed from the Gulf Oil International Group and Gulf Oil LLC. The Gulf racing livery is a trademark /intellectual property right owned by and licensed from the Gulf Oil International Group.

TOTAL is the owner of the Gulf Marks in Spain and Portugal.